

ROCKMAN ULTIMATUM

DISTORTION GENERATOR

OPERATING MANUAL



ROCKMAN

Welcome to the Rockman® Ultimatum Distortion Generator Pedal™. It was designed to be used with an electric guitar to emulate the sound of amplifier output tube distortion and tape saturation compression. This sophisticated processor is very easy to use in a wide variety of situations.

The most common application for the Ultimatum Distortion Generator is with an electric guitar and a standard guitar amp:

Connect a guitar cord from your guitar to the Input of the Pedal. Connect another cord from the Output of the Pedal to the input of your amp. Set the Pedal controls at 5 and play.

The easiest method to get good sound is to set your amp to a clean or rhythm channel setting and turn on the Pedal. You can also use the "dirty" channel or a distortion setting on your amp if you want the maximum amount of sustain or feedback.

The **Volume** knob controls the overall output level.

The **Treble** knob controls high treble frequencies.

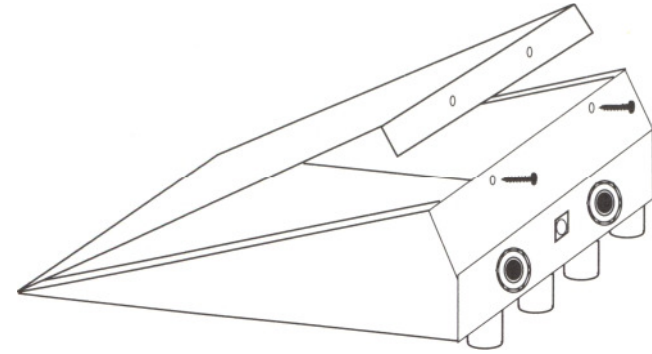
The **Bass** knob controls low bass frequencies.

The **Gain** knob controls the amount of Tape Saturation Compression available for smooth sustain and even dynamics. If you're using an amp that is set fairly loud you may need to turn the Gain knob down to avoid feedback. This will reduce noise, too.

Please feel free to try different settings on the Pedal, your guitar and your amp to get the sound you're after.

You can use the Distortion Generator as a preamp for recording your guitar direct to tape. This works well with electric guitars with single coil or humbucker style pickups.

The Ultimatum Distortion Generator requires two 9 volt batteries or the optional SR&D Ace Power Supply. Batteries are accessed through the bottom plate by removing the two screws at the rear of the unit. (under the Input and Output jacks)



One Year Limited Warranty

Return enclosed registration card to activate your unit for warranty.

Scholz Research and Development, Inc. (SR&D) takes pride in the fact that no SR&D products leave our factory without being quality tested to give you carefree use. SR&D warrants your product to be free of manufacturing defects for a period of one (1) year from the original date of consumer purchase. If this product should become defective within the warranty period, SR&D will elect to repair or replace it, free of charge. Should you experience a problem with your product, please send it to our service center as described below.

TO OBTAIN WARRANTY SERVICE IN THE UNITED STATES:

1. Ship this product with all transportation and insurance charges prepaid to the SR&D Service 1560 Trapelo Rd. Waltham, MA 02154. For protection, shipment in the original packaging is recommended.
2. For expediency, a letter explaining the problem and any other pertinent information should be included. Be sure to include your return address.
3. If you have any questions about service, please call the Service Center at 617-890-5211.

This warranty does not extend to any damage caused by misuse, accident, improper installation, weather-related damages, or use contrary to the instructions furnished with the product. This warranty gives you specific legal rights, and you may also have other rights which vary from state to state.

This warranty is valid only in the United States. For service on products purchased outside the U.S. contact the place of purchase for service address.